

Telescopic slides

with double-sided full extension,
load capacity up to 1380 N

SPECIFICATION

Type

Type **B**: with rubber stop

Identification no.

No. **2**: Fastening using countersunk holes

Slide profile

Steel, zinc plated, blue passivated **ZB**

Bearings

Roller bearing steel, hardened

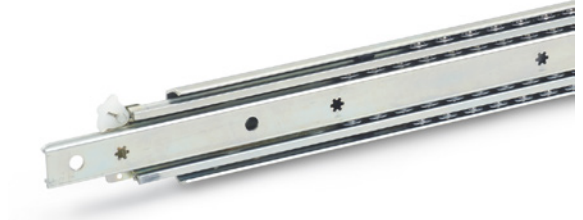
Ball cage

Steel, zinc plated

Rubber stop

Plastic / Elastomer

Operating temperature -20 °C to 100 °C



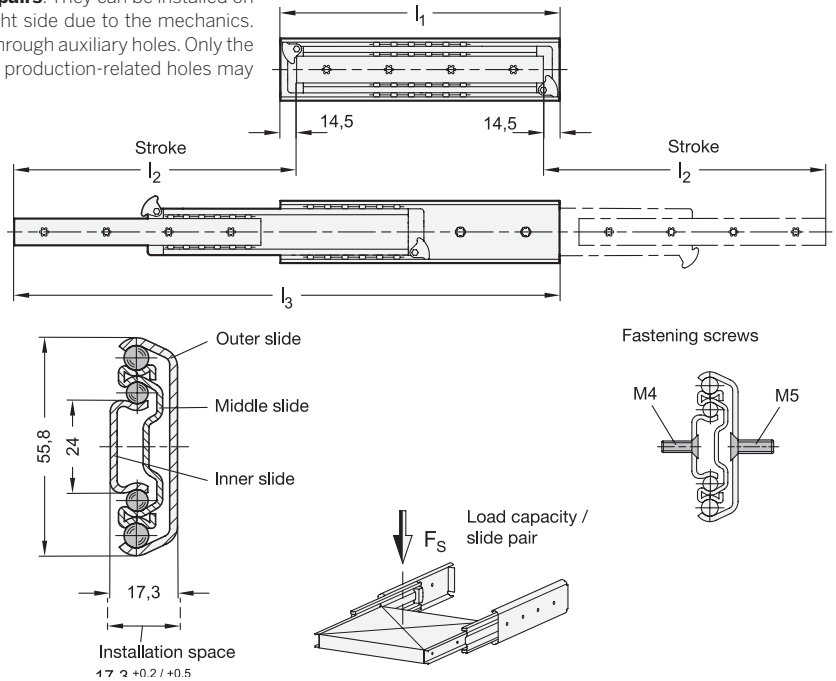
INFORMATION

Telescopic slides GN 1426 are installed vertically and in pairs. The special design allows the stroke to achieve $\approx 100\%$ % of the nominal length l_1 on both sides (double-sided full extension). Applications such as the double-sided loading of a drawer can be realized in this way. The rubber stops of type B dampen the impact of the slide in the front end positions. If larger static or dynamic loads occur in the direction of extension, they should be absorbed by external stop elements.

The telescopic slides are delivered in **pairs**. They can be installed on the extension on either the left or right side due to the mechanics. All mounting holes are easy to reach through auxiliary holes. Only the mounting holes are shown, but other production-related holes may be present.

ON REQUEST

- other lengths and hole spacing
- other attachment options
- other surfaces
- with support bracket



GN 1426

Description	l_1	$l_2 + 4 / - 4$	l_3	F_s per pair in N at 10,000 cycles	F_s per pair in N at 100,000 cycles	
GN 1426-500-B-2-ZB	500*	503	988.5	1140	760	2760
GN 1426-600-B-2-ZB	600*	607	1192.5	1190	790	3340
GN 1426-700-B-2-ZB	700*	711	1396.5	1310	870	3980
GN 1426-800-B-2-ZB	800*	815	1600.5	1380	920	4500

* The telescopic slides are delivered in pairs.

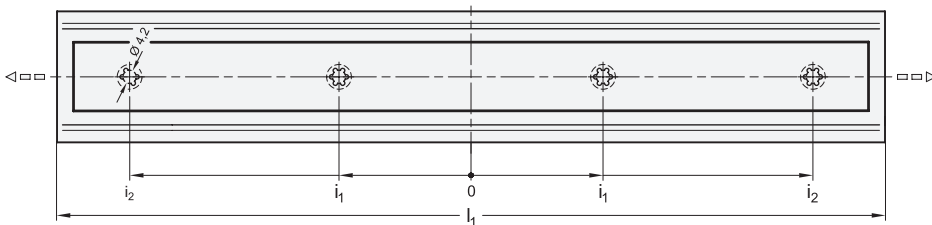


Mounting holes - Outer slide



l_1	a_1	a_2
500	64	192
600	80	240
700	96	288
800	112	336

Mounting holes - Inner slide



l_1	i_1	i_2
500	64	192
600	80	240
700	96	288
800	112	336

Fastening screws

For the said loading forces F_s to be absorbed reliably in the surrounding structure, all available countersunk holes of the outer and inner slide must be used. Failure to use fastening screws reduces the specified load capacity accordingly. The following screws can be used for mounting:

Designation - standard	Outer slide	Inner slide
Countersunk screw, Phillips DIN 965	M 5	M 4
Countersunk screw, Phillips DIN 7997	Size 5	Size 4 / 4.5